

PRODUCT INFORMATION PACKET



Model No: A4K17DC19A

Catalog No: E101521.00

..1/4HP..1725RPM.S56C.DP.115/208-

230V.1PH.60HZ.CONT.40C.1.35SF.ROUND.A4C17DC79J.....GENERAL PURPOSE.AUTOMATIC.....

Open Drip Proof (ODP)



Regal and Leeson are trademarks of Regal Beloit Corporation or one of its affiliated companies.

©2018 Regal Beloit Corporation, All Rights Reserved. MC017097E





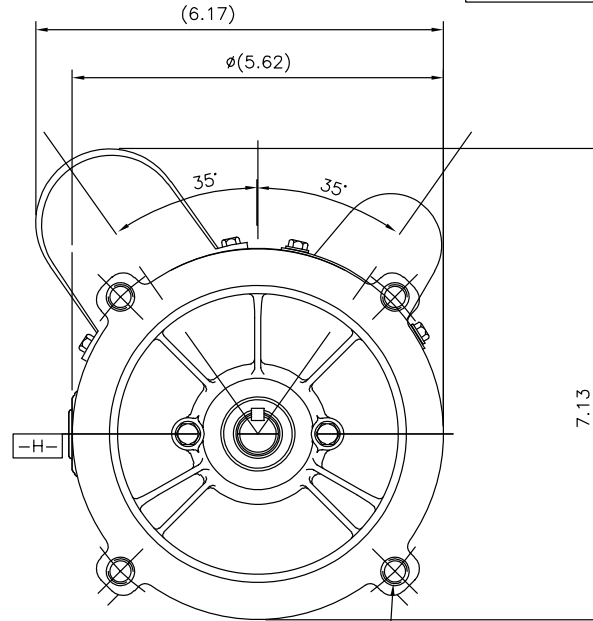
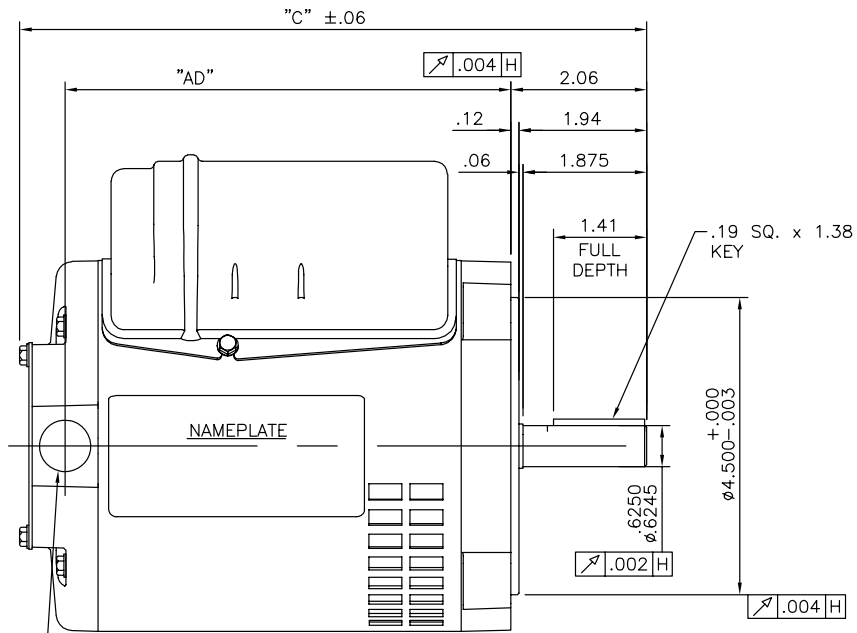
Nameplate Specifications

| | | | |
|----------------------------|-------------------|------------------------|-------------------|
| Output HP | 0.25 Hp | Output KW | 0.19 kW |
| Frequency | 60 Hz | Voltage | 115/230 V |
| Current | 2.4/1.2 A | Speed | 1725 rpm |
| Service Factor | 1.35 | Phase | 1 |
| Efficiency | 68.5 % | Duty | Continuous |
| Insulation Class | F | Design Code | N |
| KVA Code | M | Frame | S56 |
| Enclosure | Drip Proof | Overload Protector | Automatic |
| Ambient Temperature | 40 °C | Drive End Bearing Size | 6203 |
| Opp Drive End Bearing Size | 6203 | UL | Recognized |
| CSA | Y | CE | Y |
| IP Code | 22 | | |

Technical Specifications

| | | | |
|-----------------------|--------------------------------------|-----------------------|-----------------------------------|
| Electrical Type | Capacitor Start Capacitor Run | Starting Method | Across The Line |
| Poles | 4 | Rotation | Selective Counterclockwise |
| Mounting | Round | Motor Orientation | HORIZONTAL |
| Drive End Bearing | BALL | Opp Drive End Bearing | BALL |
| Frame Material | Rolled Steel | Shaft Type | NEMA 56 |
| Overall Length | 10.74 in | Frame Length | 6.75 in |
| Shaft Diameter | 0.625 in | Shaft Extension | 1.88 in |
| Assembly/Box Mounting | F1 ONLY | | |
| Outline Drawing | A-SS404121-675 | Connection Diagram | 005053.40 |

SS404121



1/2-14 NPT
CONDUIT HOLE
(PLUGGED)

| DASH NO. | "C" | "AD" |
|----------|-------|------|
| 550 | 9.49 | 6.75 |
| 575 | 9.74 | 7.00 |
| 600 | 9.99 | 7.25 |
| 625 | 10.24 | 7.50 |
| 650 | 10.49 | 7.75 |
| 675 | 10.74 | 8.00 |
| 700 | 10.99 | 8.25 |
| 725 | 11.24 | 8.50 |
| 750 | 11.49 | 8.75 |

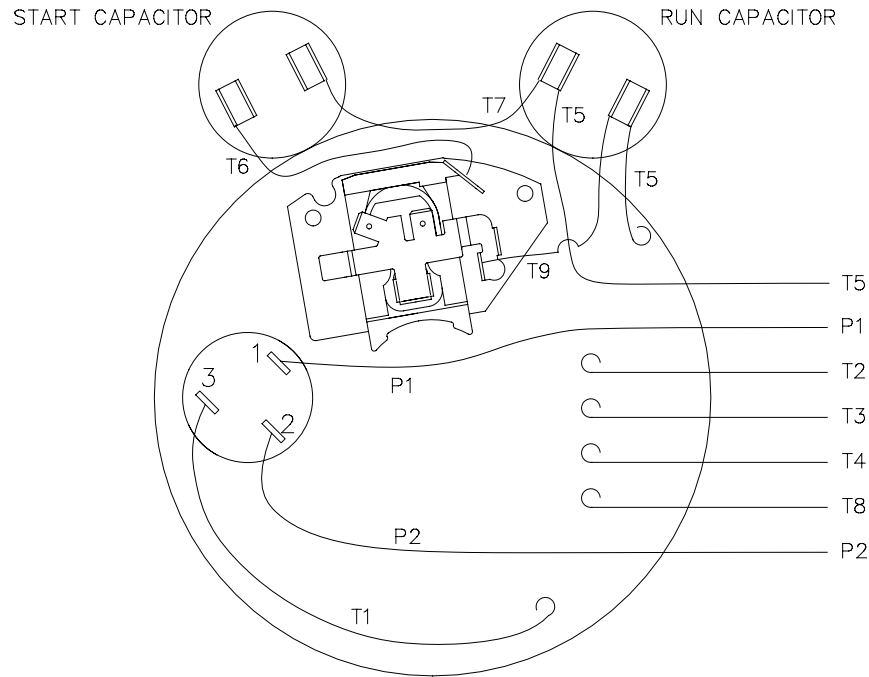
3/8-16 UNC 2B TAP x .56 DEEP
(4) REQ'D. ON A ø5.875 B.C.

| | | TOLERANCES UNLESS SPECIFIED | | DRAWN SM 12/03/2014 | |
|--|---------------------|-----------------------------|-------------------|---------------------|------------------------------|
| | | DEC. | INCHES | CHK SM 12/03/2014 | |
| | | .X | ±.1 | APPD | |
| | | .XX | ±.03 | SCALE NTS | |
| | | .XXX | ±.005 | REF SS404120 | |
| A | CREATED NEW DRAWING | SM | 12/03/2014 | SM | .XXXX ±.0005 |
| NO. | REVISION | BY & DATE | CHK | ANG | ±7'30" |
| THIS DRAWING IN DESIGN AND DETAIL IS OUR PROPERTY AND MUST NOT BE USED EXCEPT IN CONNECTION WITH OUR WORK ALL RIGHTS OF DESIGN AND INVENTION ARE RESERVED THIS IS AN ELECTRONICALLY GENERATED DOCUMENT - DO NOT SCALE THIS PRINT | | RFP | CAD FILE SS404121 | SIZE | DRAWING NO. PAGE 1 OF 1 REV. |
| | | DIST | WP | A | SS404121 A |

REGAL™ Regal Beloit America, Inc.

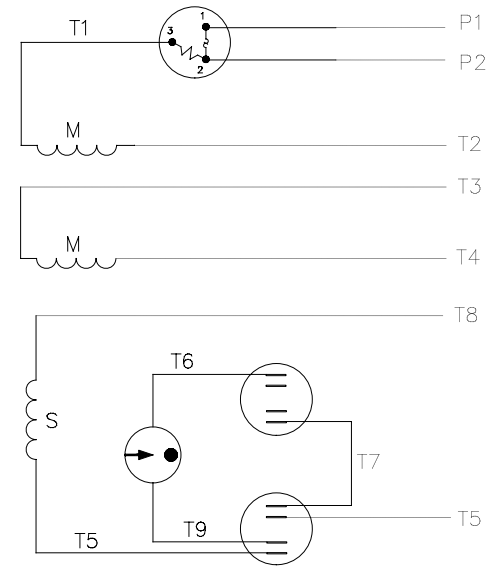
TITLE OUTLINE
S56 FRAME ROUND MOUNT - DRIP PROOF

005053-40



VIEW FROM OUTSIDE OF MOTOR AT SWITCH END

LINE LEADS



| | ROTATION FACING LEAD END | L1 | L2 | JOIN | INSULATE SEPARATE |
|--------------|--------------------------------|----|--------------|--------------|----------------------|
| HIGH VOLT | C.C.W. | P1 | T4, T5 | T2, T3 T8 | P2 |
| | C.W. | P1 | T4, T8 | T2, T3 T5 | P2 |
| LOW VOLT | C.C.W. | P1 | T2, T4 T5 | P2 T3, T8 | --- |
| | C.W. | P1 | T2, T4 T8 | P2 T3, T5 | --- |

| NO. | CHANGED | REVISION | BY & DATE | CHK | ANG | TOLERANCES UNLESS SPECIFIED | |
|-----|-----------------------|----------|------------|-----|-------|--------------------------------|--------|
| | | | | | | DEC. | INCHES |
| | | | | | | .X | ±.1 |
| | | | | | | .XX | ±.01 |
| | | | | | | .XXX | ±.005 |
| A | CHANGED LOGO TO REGAL | | PST 2/1/16 | SKM | .XXXX | ±.0005 | |
| | | | | CHK | ANG | ±1/2* | |

REGAL™ Regal Beloit America, Inc.

DRAWN PG 7/2/02

CHK

APPD

TITLE EXTERNAL WIRING DIAGRAM
TYPE "K" W/PROTECTOR

SCALE 5=8

MAT'L. DUAL VOLTAGE - DUAL ROTATION

REF 005053.01

FINISH

FMF 102827.00

PREV

THIS DRAWING IN DESIGN AND DETAIL IS OUR PROPERTY AND MUST NOT BE USED EXCEPT IN CONNECTION WITH OUR WORK ALL RIGHTS OF DESIGN AND INVENTION ARE RESERVED THIS IS AN ELECTRONICALLY GENERATED DOCUMENT - DO NOT SCALE THIS PRINT

RFP

CAD FILE 00505340

SIZE A

DRAWING NO. 005053-40

REV. A



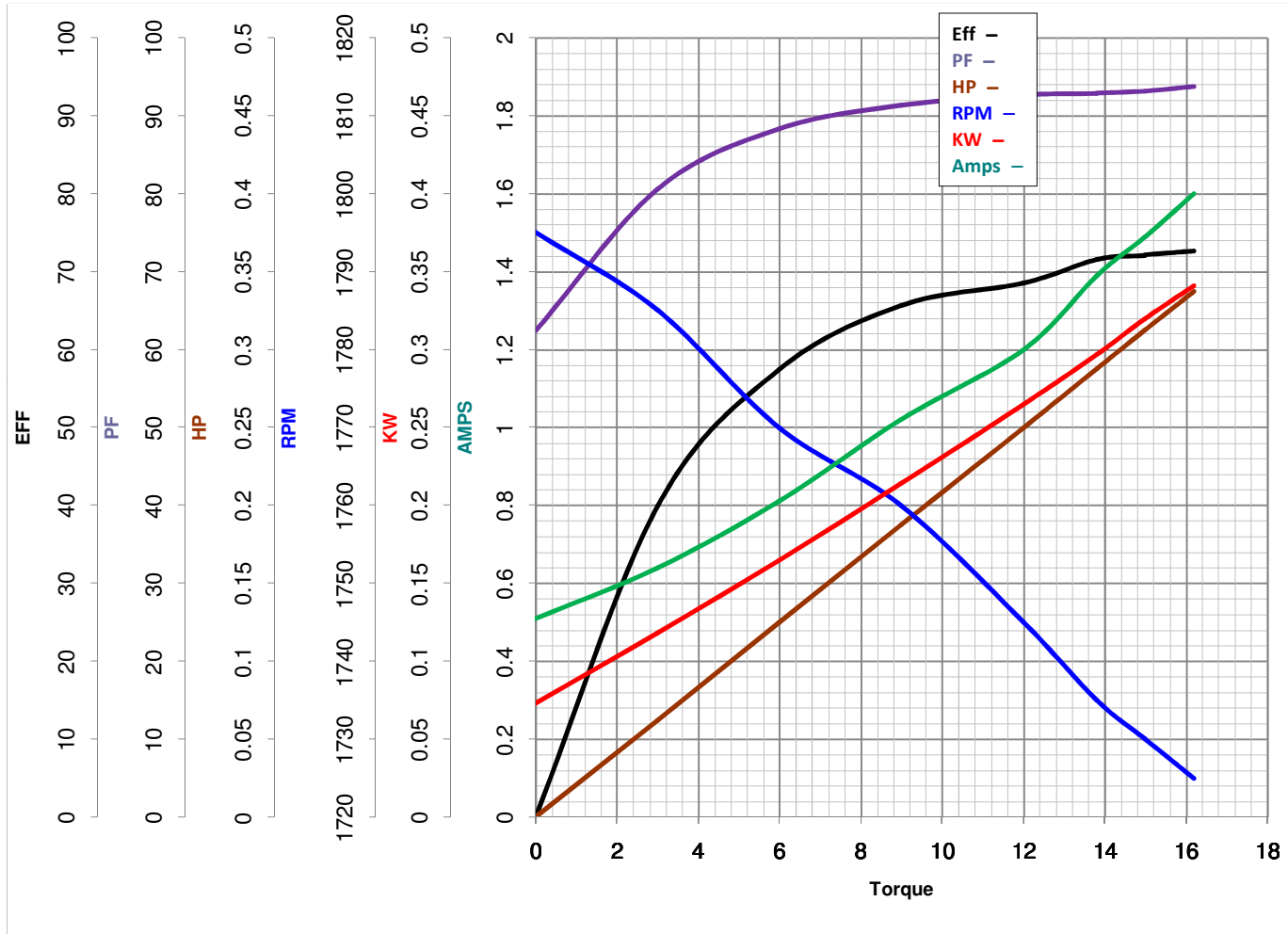
LEESON ELECTRIC CORPORATION
 TYPICAL PERFORMANCE CURVE for AC MOTOR

Model No E101521.00

Curve at 230 Volts HP 0.26 PHASE 1
60 HZ
0.25 HP VOLTS 115/230

Catalog No E101521.00

HZ 60 RPM 1725



Torque in Oz.Ft

FL TORQUE 12 Oz.Ft
 BD TORQUE 31.0 Oz.Ft
 LR TORQUE 40.7 Oz.Ft

FL AMPS 2.4/1.2
 PU TORQUE 40.7 Oz.Ft
 LR AMPS 10.7

WINDING BE484113-3

Date 3/26/2018